



Wes Moore
Governor

Michael J. Frenz
Executive Director

Members

.....
Thomas E. Kelso
Chairman

Leonard J. Attman
Joseph C. Bryce
William H. Cole, IV
Michael Huber
Gary L. Mangum
Manervia W. Riddick
Jodi C. Stanalonis

Addendum No. 3

**To Offerors: Request for Proposals
Project C.O.R.E.
Abatement and Demolition Service DD-015**

Date Issued: January 23, 2023

This addendum is hereby made part of the Request for Proposals dated January 9, 2023, as amended, on the subject work as though originally included therein. The following amendments, additions, and/or corrections shall govern this solicitation.

This addendum incorporates the following items:

1. A copy of the questions submitted, along with their respective answers, is attached hereto.
2. Additional requirements regarding the Sidewalk Installation and Water Abandonment, have been attached hereto.
3. Additional Hazmat Reports for Block 0170, Lot 096, and 4856 Reisterstown Road, can be accessed via the Share File link below:

<https://mdstad.sharefile.com/d-sda6bb62294c04a959950f95d7e88e58d>

Note: All addenda must be acknowledged by the Offeror in the Technical Proposal.

Yamillette Waite
Procurement Officer

End of Addendum 3

Capital Projects Development
The Warehouse at Camden Yards
351 W. Camden Street, Suite 300
Baltimore, MD 21201
410-223-4150
1-877-MDSTADIUM
Fax: 410-333-1888

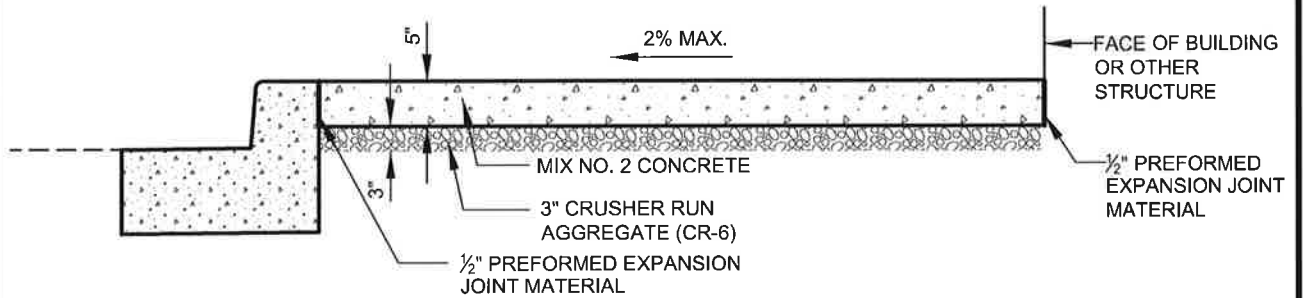
cpdginfo@mdstad.com
www.mdstad.com

Voice: 800-201-7165
TTY: 800-735-2258

**Request for Proposals
Project C.O.R.E.
Abatement and Demolition Services- DD-015
Questions & Answers**

Action Item

	Question	Answer
1.	What type of dust monitoring will be required?	MSA does not intend to use environmental consultants for dust monitoring on this contract but reserves the right to do so if desired. However, the awarded demolition firm is responsible for dust suppression through the methods presented in the Project Manual.
2.	Who is responsible for Air Monitoring during abatement?	The contractor shall provide its own Certified Industrial Hygienist onsite for abatement monitoring. MSA reserves the right to provide additional monitoring if desired.



APPROVED:

Primal Dewhirst
 DIVISION CHIEF, TRANSPORTATION ENGINEERING AND CONSTRUCTION

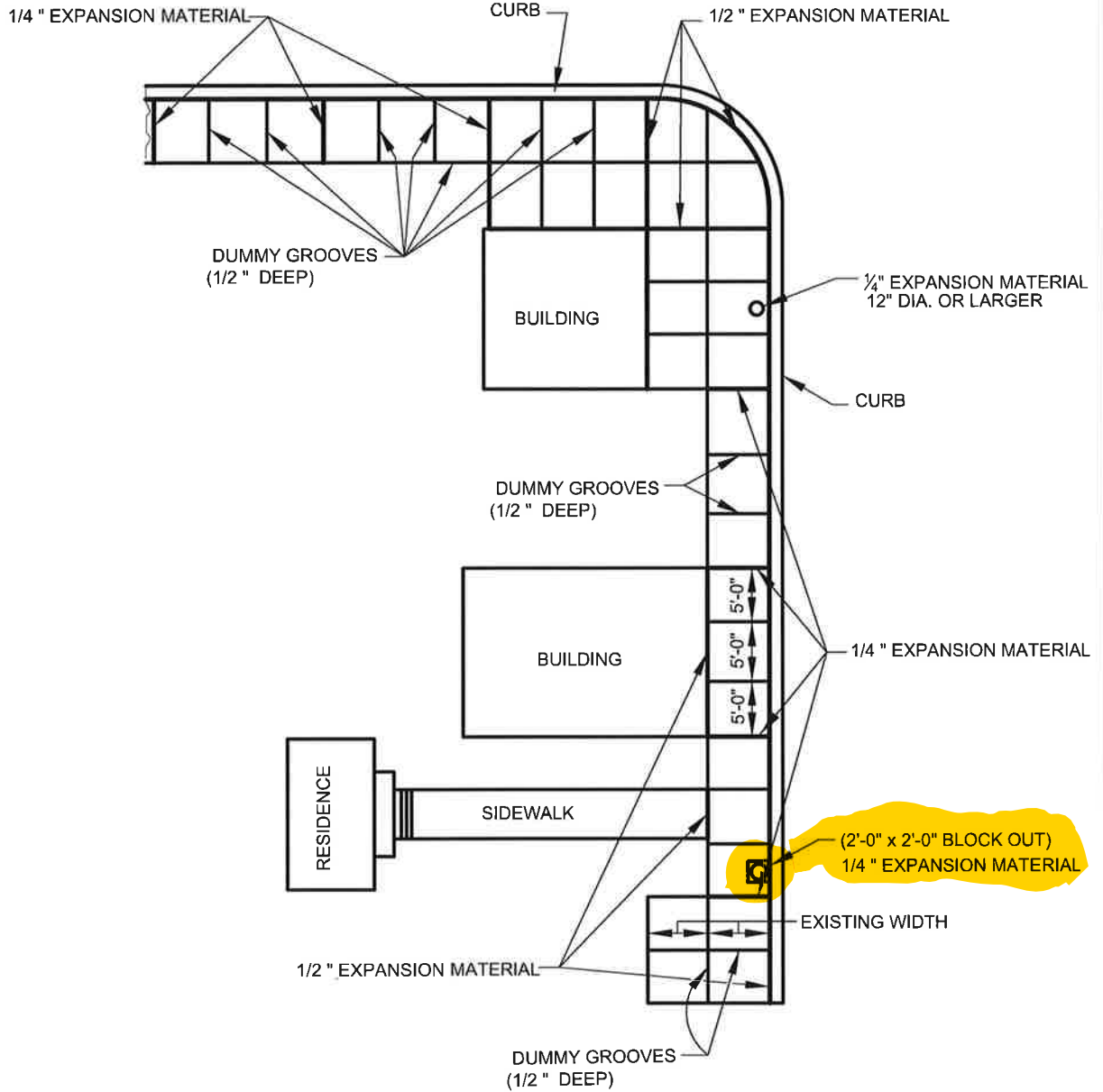
Khail Zare
 DIRECTOR, DEPARTMENT OF TRANSPORTATION

CITY OF BALTIMORE
 DEPARTMENT OF TRANSPORTATION
 TRANSPORTATION ENGINEERING AND CONSTRUCTION

**TYPICAL SECTION
 CONCRETE SIDEWALK**

ISSUED	REVISED	REVISED
8 / 2010		

**STANDARD NO.
 BC 655.05**



APPROVED:

Primal DeWitt

DIVISION CHIEF, TRANSPORTATION ENGINEERING AND CONSTRUCTION

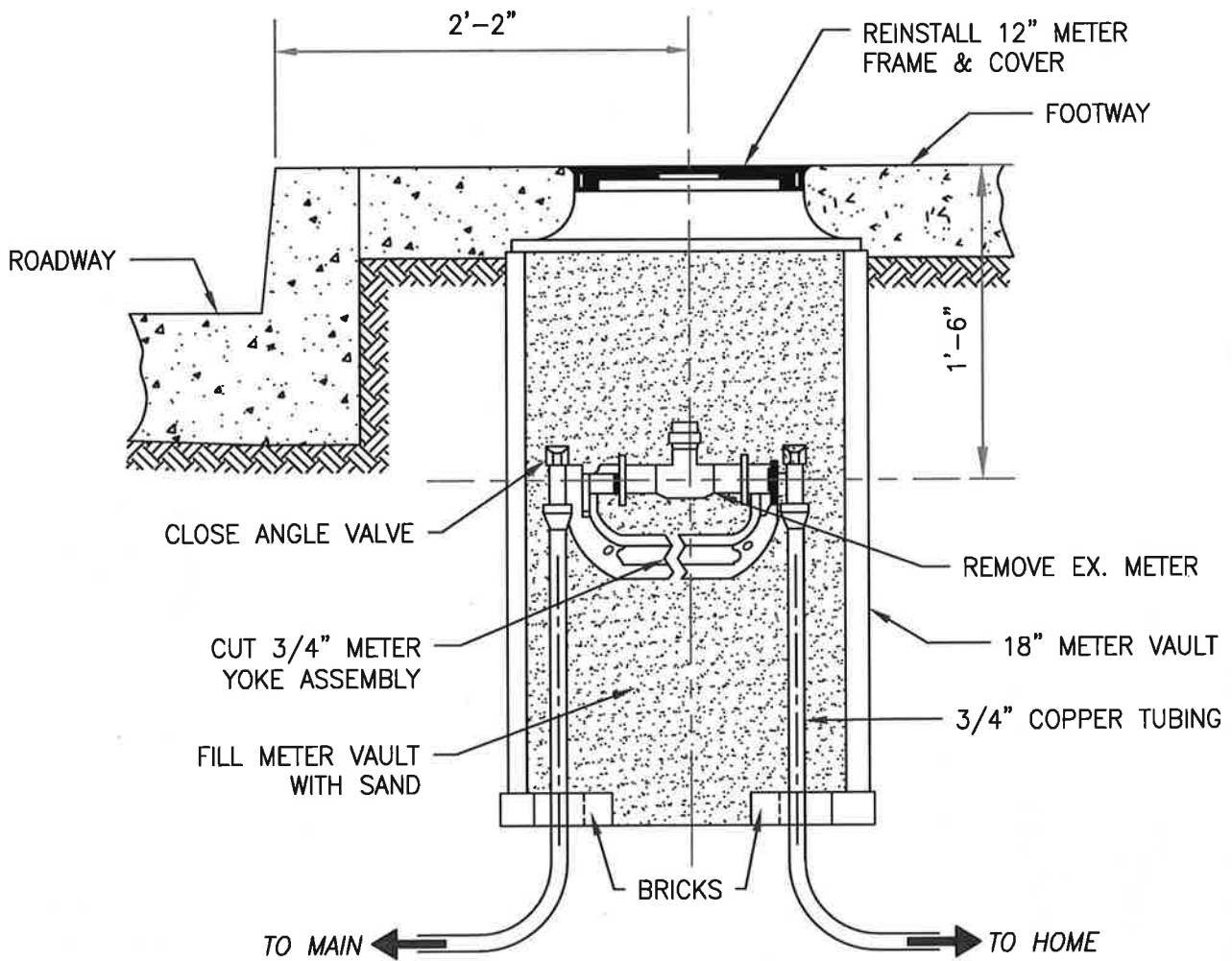
Khali Zae

DIRECTOR, DEPARTMENT OF TRANSPORTATION

CITY OF BALTIMORE
DEPARTMENT OF TRANSPORTATION
TRANSPORTATION ENGINEERING AND CONSTRUCTION

SIDEWALK EXPANSION JOINTS

ISSUED	REVISED	REVISED
8 / 2010		
STANDARD NO. BC 655.01		
SCALE: NONE	SHEET 1 OF 1	

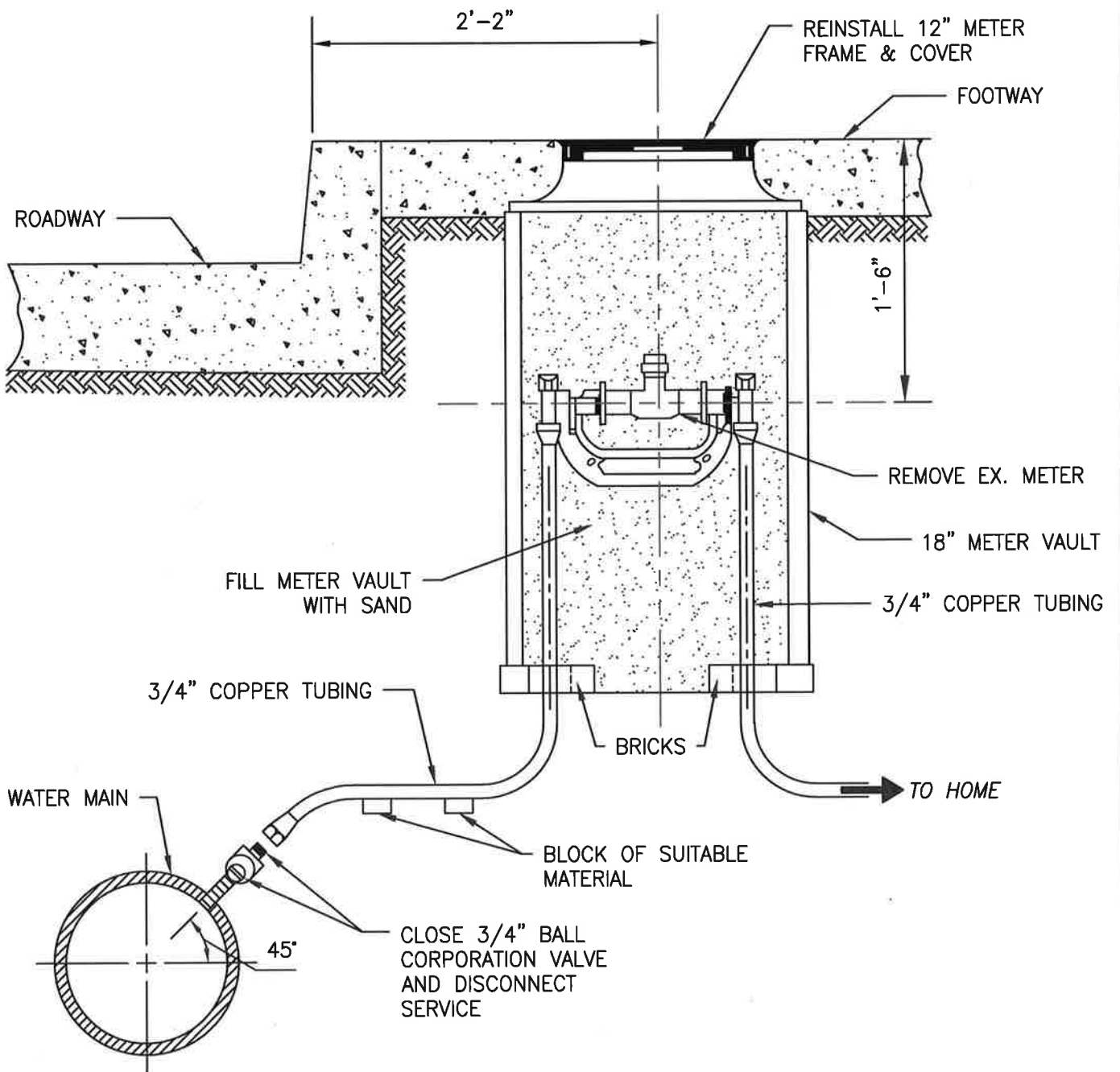


CORE PROJECT

CITY OF BALTIMORE
 DEPARTMENT OF PUBLIC WORKS
 BUREAU OF WATER AND WASTEWATER
 ABANDONMENT OF 3/4"
 WATER SERVICE

DRAWN BY: ALEX BOOTY
 APPROVED BY: CARLOS ESPINOSA
 SCALE: NONE
 DRAW DATE: 03/22/2018





CITY OF BALTIMORE
 DEPARTMENT OF PUBLIC WORKS
 BUREAU OF WATER AND WASTEWATER

ABANDONMENT OF 3/4"
 WATER SERVICE

DRAWN BY: ALEX BOOTY

APPROVED BY: CARLOS ESPINOSA

SCALE: NONE

DRAW DATE: 03/22/2018

